

Technical datasheet on Boot Cleaner with Dirt Collection Tub

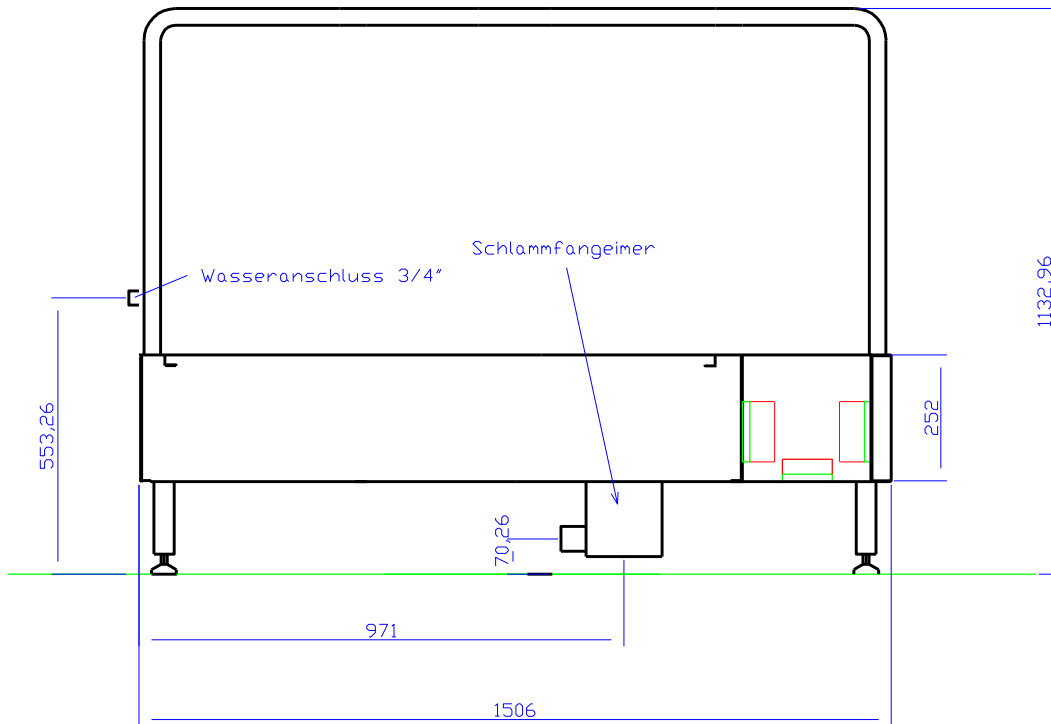


- ¾" water connection
- Water temperature up to max. 40 °C
- Maximum water pressure 8 bar
- Water inflow can be shut off (on site), must be easy to reach (the inflow must be shut off if the boot washer will not be used for an extended period of time)
- The water connection must comply with the provisions of the relevant waterworks and be performed by an authorised specialist (delivery does not include aerator or system separator)
- Non-slip floor
- 4 adjustable feet to balance out uneven surfaces (the boot washer must be level)
- Comes with sludge collecting tub excluding odour trap (sludge collecting tub must be cleaned when necessary)
- Boot washer material: stainless steel 1.4301, brushes: nylon
- Outflow of NW 50
- Dimensions: width 1,500 mm, depth 550 mm, height 1,150 mm
- Check the boot washer for leaks after installation!
- The boot washer must be protected from freezing
- Please note: at temperatures below freezing point the drain could freeze and there is a risk of slipping on the boot cleaner!

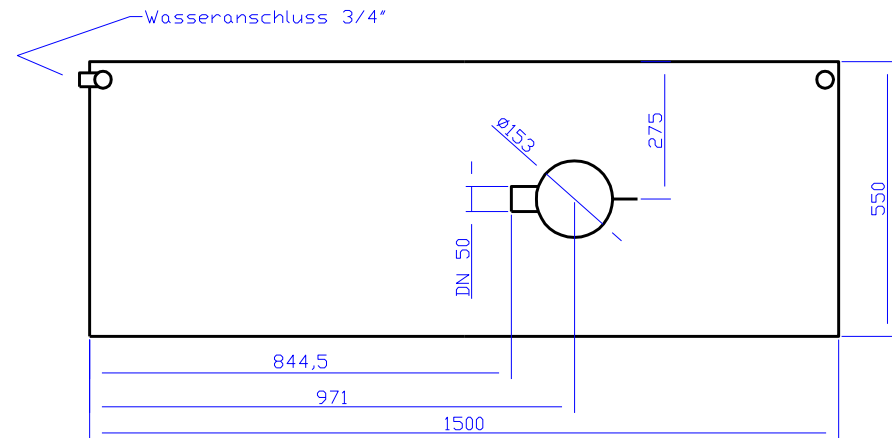
Blue Level GmbH
 Säntisstrasse 17
 CH-8280 Kreuzlingen
 Switzerland

eShop: www.schuhputzmaschine.ch
 eMail: info@bluelevel.ch

Stiefelreiniger mit Schmutzfangwanne, 3 Reinigungsplätze



ANSICHT VON VORNE



ANSICHT VON OBEN

1		1		1.4301		Blech 2mm
Stück	Benennung	Teil	Norm Nr. Zeichng-Nr	Werkstoff	Rohmaße- Modell Nr.	Bemerkung
Maßstab o.M	Schmutzfang			Kunde		
Freimaß- toleranzen mittel				Datum 06.07.23	Zeichnung.Nr. 2	