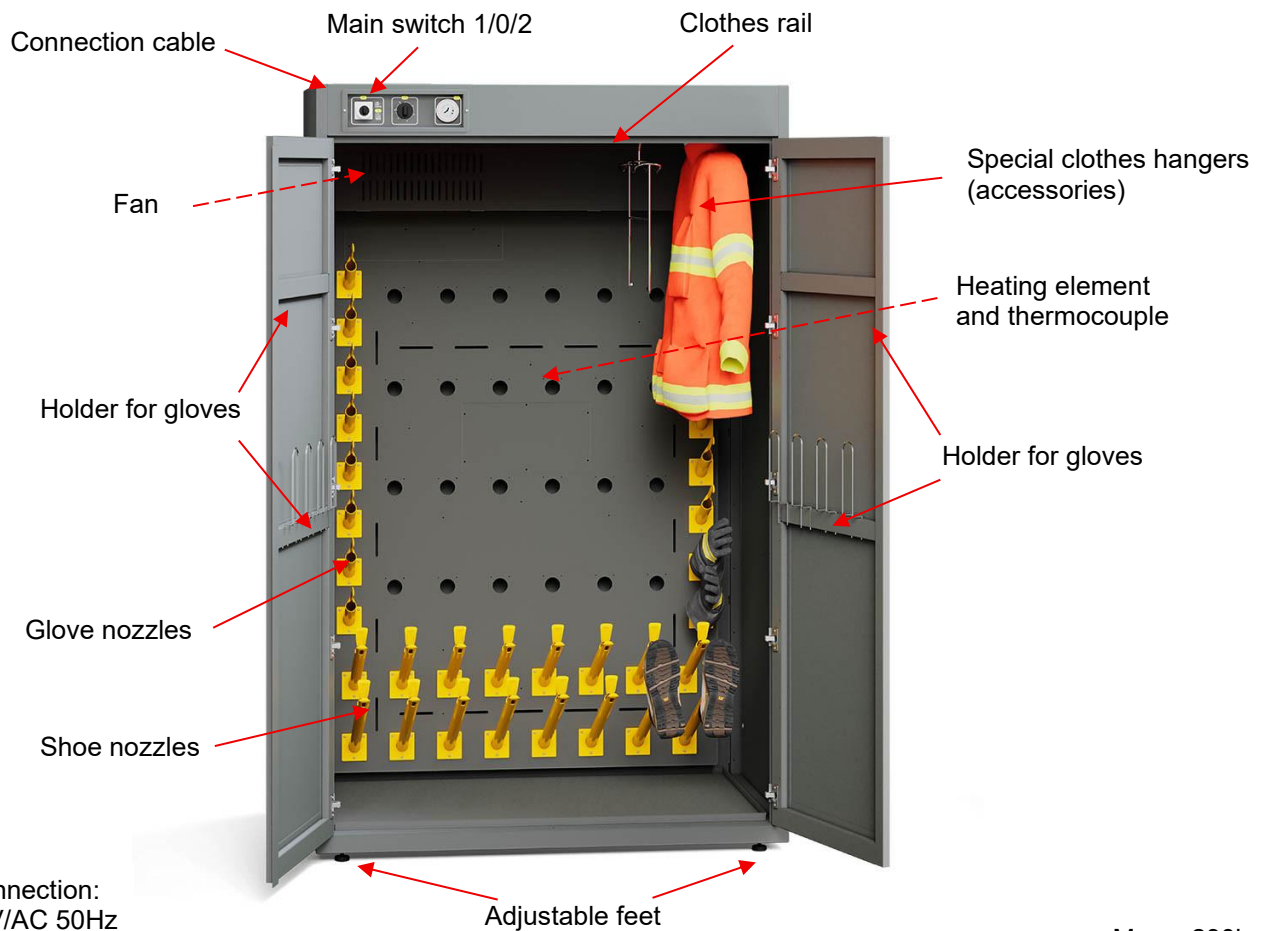
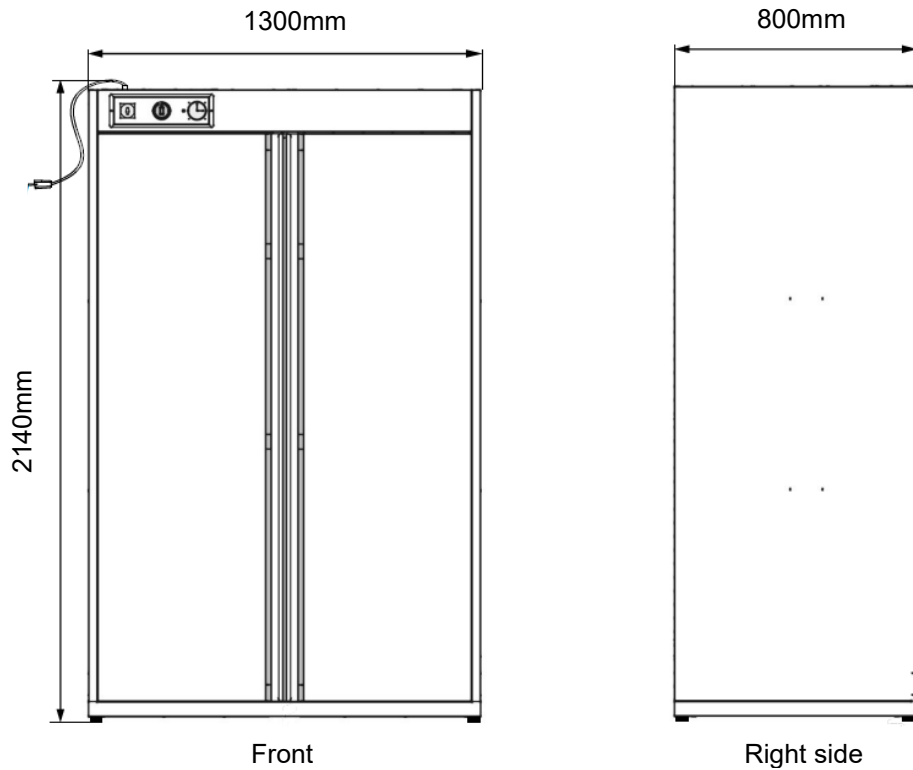


Blue Level GmbH
Säntisstrasse 17
CH-8280 Kreuzlingen
Switzerland

Drying cabinet warm air 8 complete workwear clothing



eShop: <http://www.schuhputzmaschine.ch>
eMail: info@bluelevel.ch



Power connection:
220-230 V/AC 50Hz

Mass: 230kg