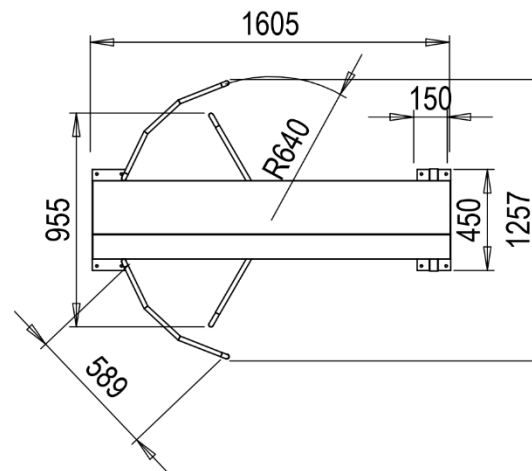
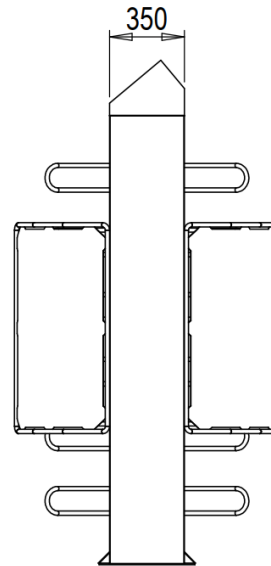
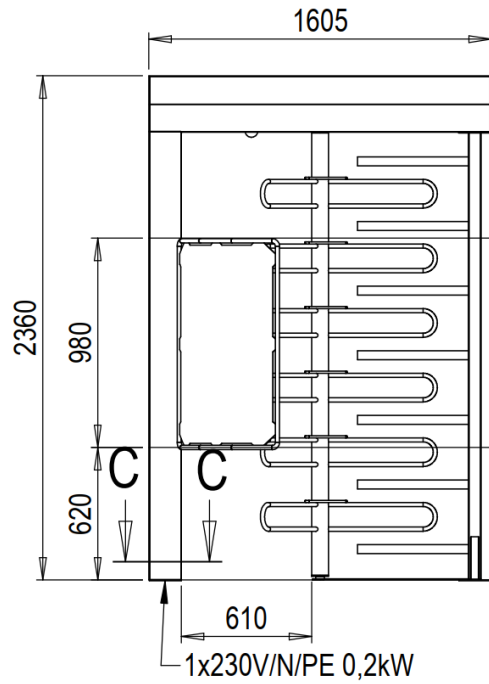


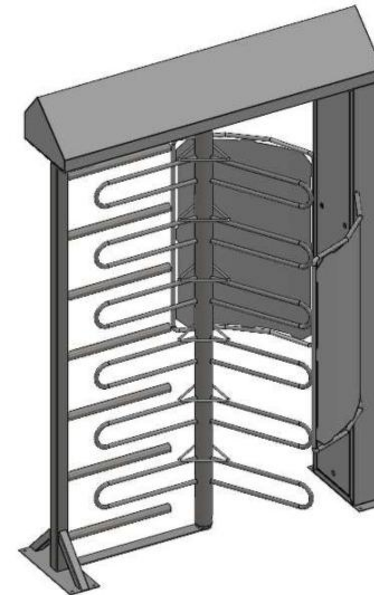
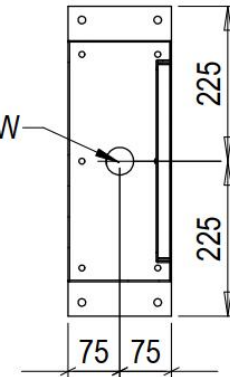
Blue Level GmbH  
Säntisstrasse 17  
CH-8280 Kreuzlingen  
Switzerland

eShop: [www.schuhputzmaschine.ch](http://www.schuhputzmaschine.ch)  
eMail: [info@bluelevel.ch](mailto:info@bluelevel.ch)

**Full-height turnstile**  
**Option: Mechanical**  
(EKH-000801)



1x230V/N/PE 0,2kW

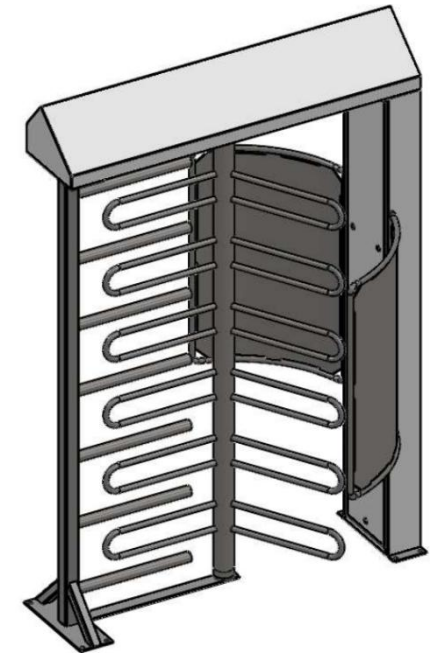
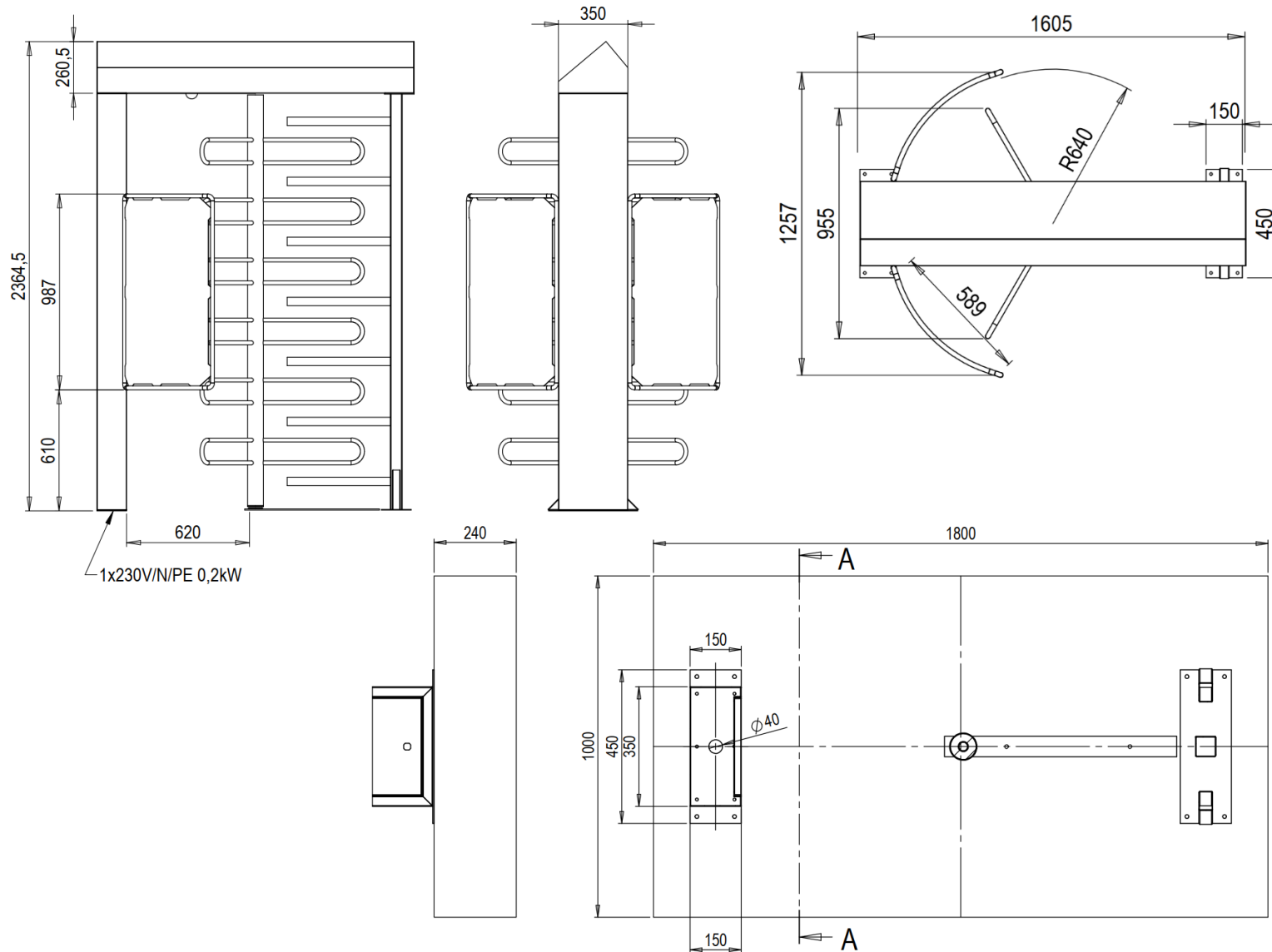


Weight: 133.85kg

Blue Level GmbH  
Säntisstrasse 17  
CH-8280 Kreuzlingen  
Switzerland

eShop: [www.schuhputzmaschine.ch](http://www.schuhputzmaschine.ch)  
eMail: [info@bluelevel.ch](mailto:info@bluelevel.ch)

**Full-height turnstile**  
**Option: Single-sided electric**  
(EKH-000802)

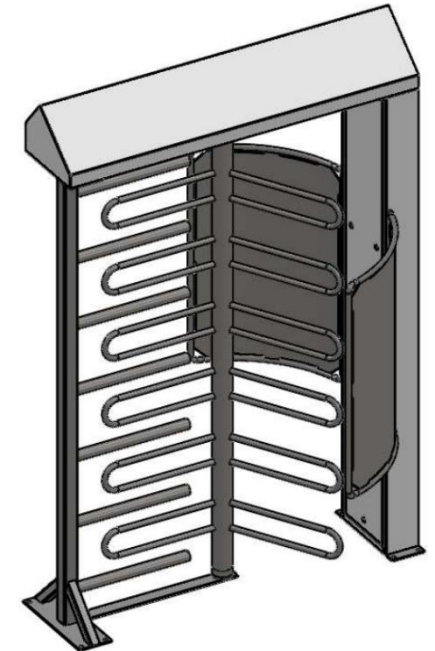
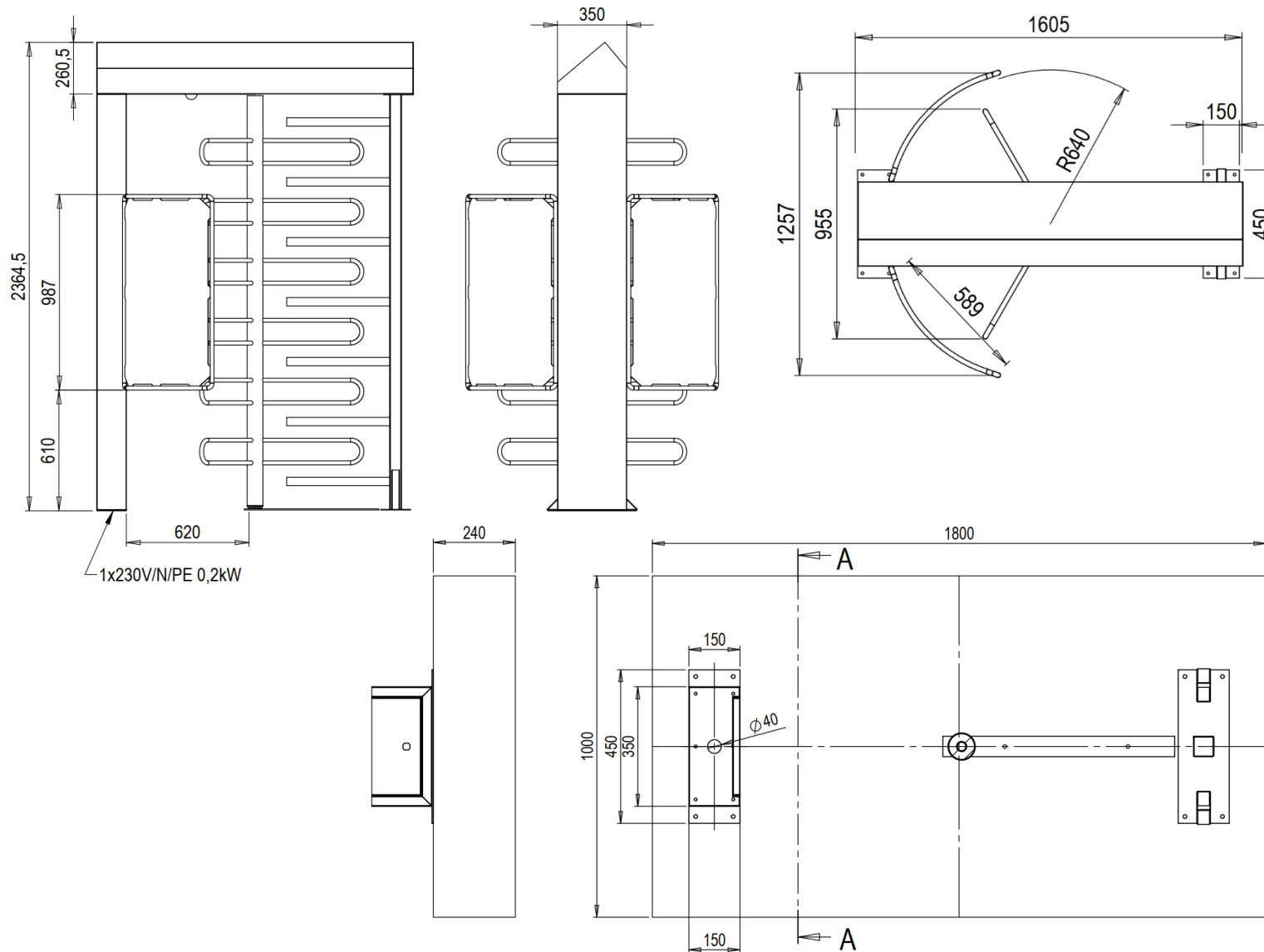


Weight: 126.55kg

Blue Level GmbH  
Säntisstrasse 17  
CH-8280 Kreuzlingen  
Switzerland

eShop: [www.schuhputzmaschine.ch](http://www.schuhputzmaschine.ch)  
eMail: [info@bluelevel.ch](mailto:info@bluelevel.ch)

**Full-height turnstile**  
**Option: Double-sided electric**  
(EKH-000803)



Weight: 126.55kg