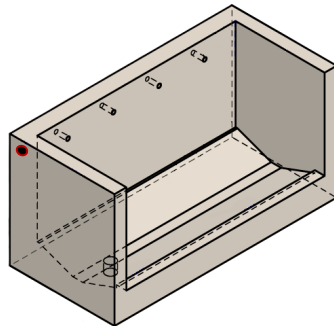
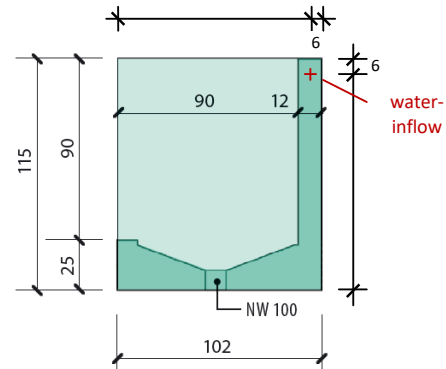


**Technical datasheet for shoe cleaner surrounding protection wall,
 2, 4, 6 or 8 stations**

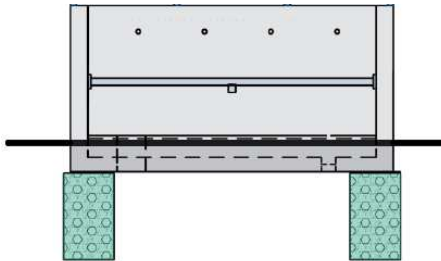
Isometry



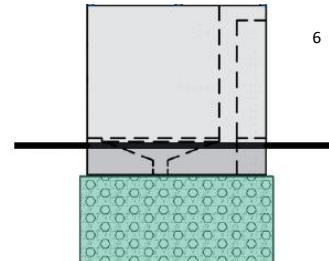
Side-view



Front-view strip foundations (light green)



Side-view strip foundation (light green)



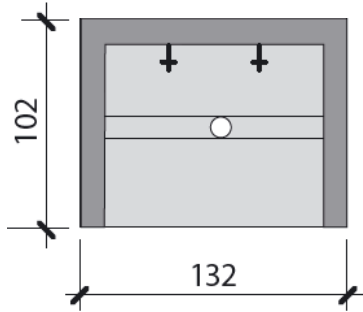
Notes:

- When ordering, please specify whether the water connection drain is to be placed on the left or right
- For the models with 2 and 4 wash places please also indicate where the drain is desired
- The pipes and washing frame must be flushed before initial use
- Max. Line pressure 5 bar
- Install fine filters in the supply line
- The line withstands an operating pressure of max. 6 bar. If an increased pressure is present, a pressure reducing valve must be installed on site
- If there is a risk of frost, the pipes must be emptied
- Faucets are not included.
- The prices do not include preparatory work on site, installation and transport. Installation must be carried out by a local plumber/construction company
- Before installation, foundation / support, water connection and sewerage connection with sludge collector must be installed by the customer

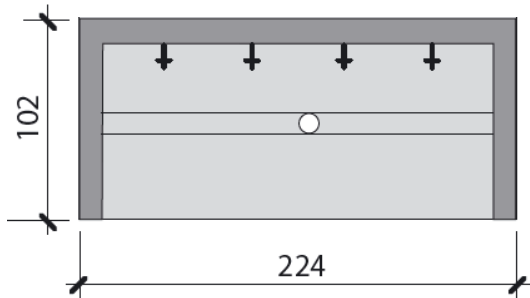
Shoe cleaner surrounding protection wall



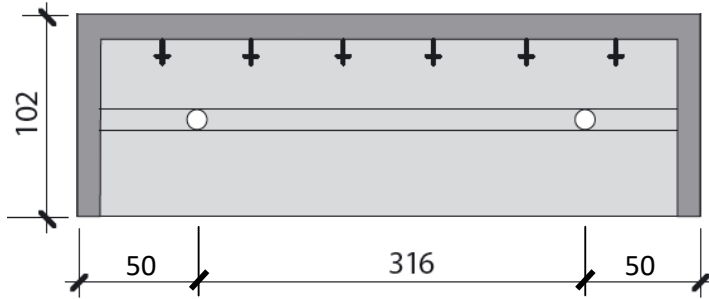
2 cleaning stations (top view)



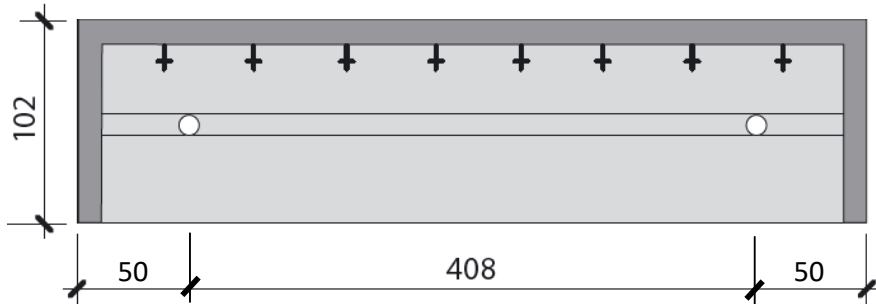
4 cleaning stations (top view)



6 cleaning stations (top view)



8 cleaning stations (top view)

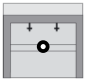
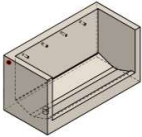
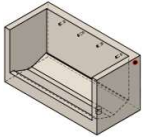
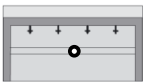
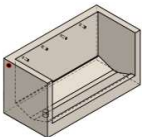
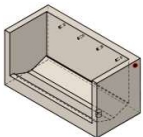
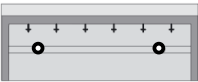
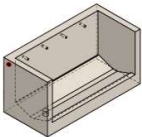
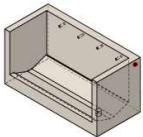
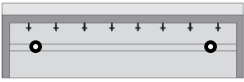
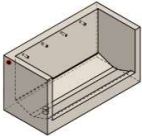
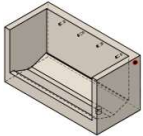


Positioning



Standard - positioning water connection and drain:

Please check the appropriate red boxes () for the desired installation.

Shoe cleaner	Water outflow	Water inflow	
2 stations	middle standard 	<input type="checkbox"/> left 	<input type="checkbox"/> right 
4 stations	middle standard 	<input type="checkbox"/> left 	<input type="checkbox"/> right 
6 stations	left AND right* standard 	<input type="checkbox"/> left 	<input type="checkbox"/> right 
8 stations	left AND right* standard 	<input type="checkbox"/> left 	<input type="checkbox"/> right 
Please fill out & sign →	Date: _____	Name: _____	Signature: _____

*The remaining water outflow can be closed.