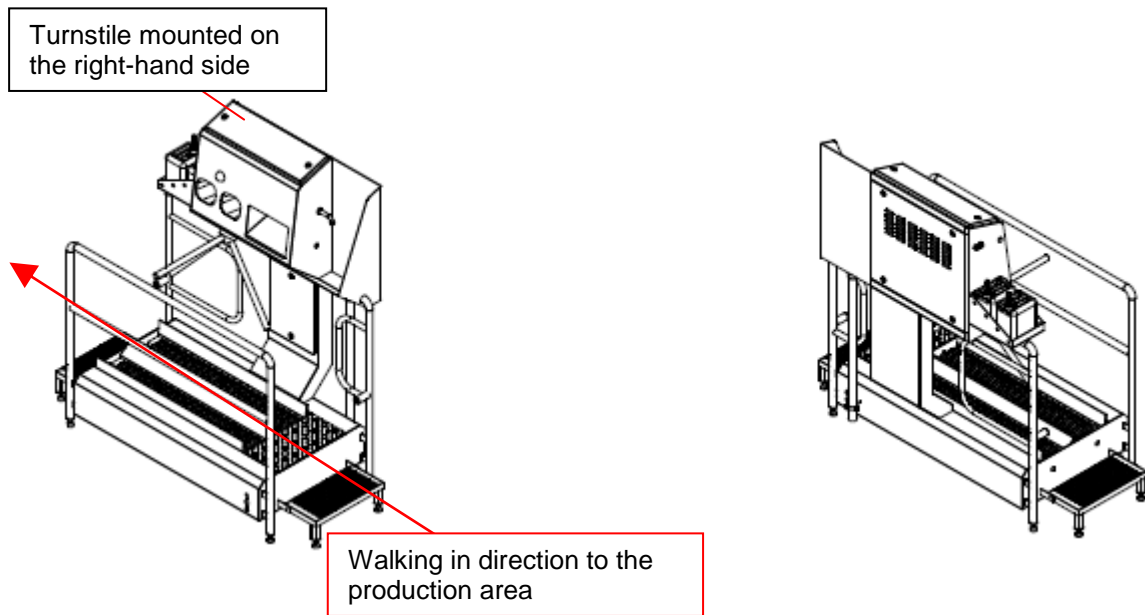
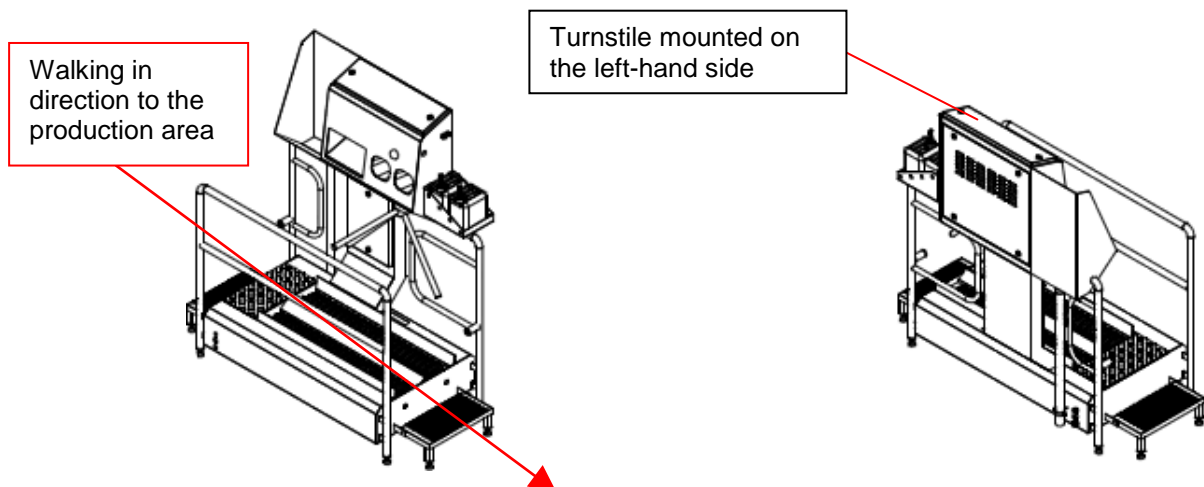


## Explanation of option walk-through direction version RIGHT / version LEFT

**Version RIGHT:** Turnstile (sink) is mounted on the right-hand side in the walking direction to the production area.



**Version LEFT:** Turnstile (sink) is mounted on the left-hand side in the walking direction to the production area.



The following generally applies when determining a standard:

- entry control device is located on the right- or left-hand side in the walking direction to the production area, depending on preference